



float[®]

Humanscale[®]

OFG UNICOR
OFFICE
FURNITURE
GROUP

Introducing Float

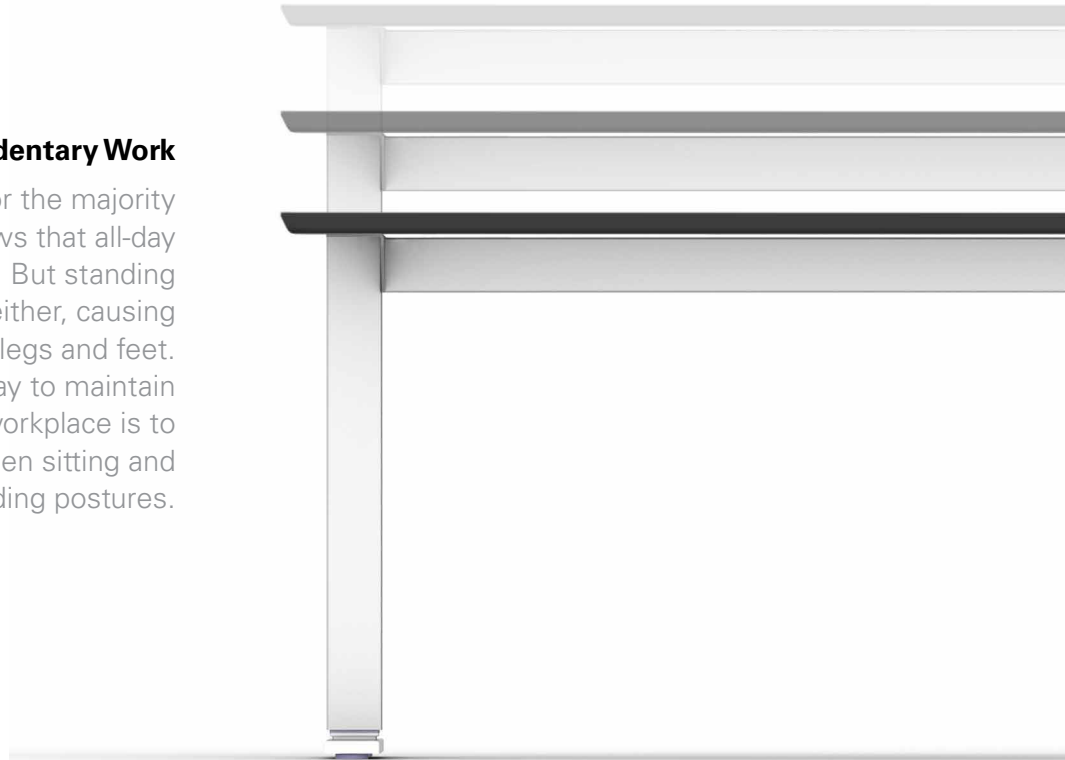
The World's Most Revolutionary Height-Adjustable Table

Thanks to its innovative and proprietary design, the Float height-adjustable table solves the problems and limitations of current-generation sit/stand tables, gracefully adapting to a vast range of heights and weights with exceptional ease of use and safety features. Its ingenious counterbalance mechanism provides constant counter-weighting force that allows the table to move fluidly between sitting height and standing height, while accommodating the ergonomic needs of 99% of users.



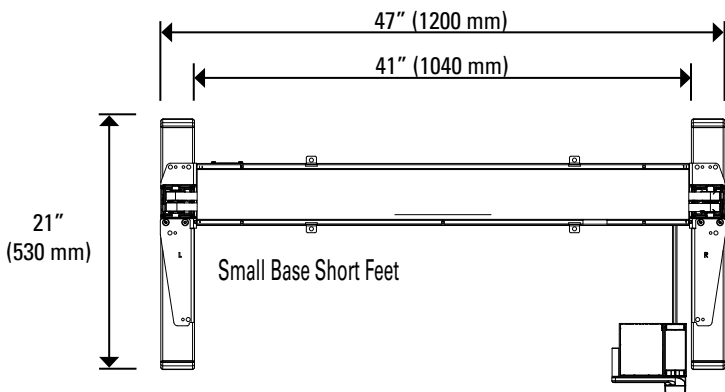
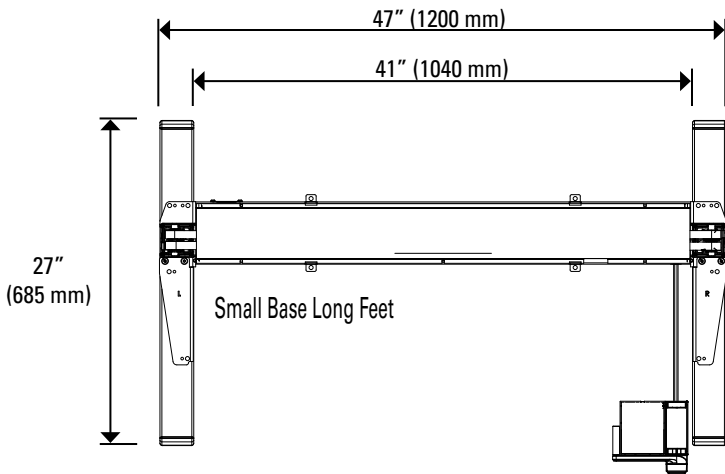
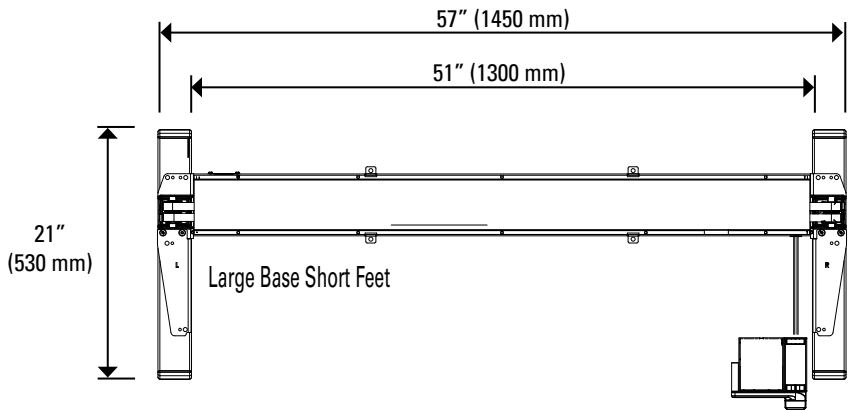
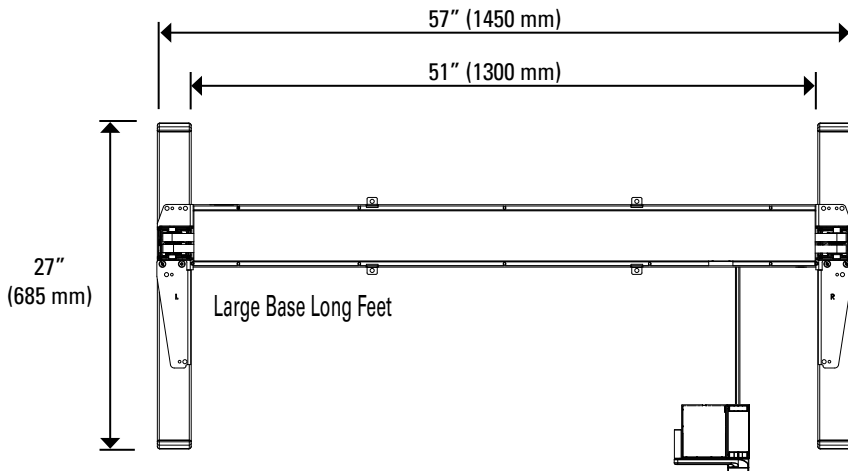
The Dangers of Sedentary Work

While most office workers sit for the majority of their workdays, research shows that all-day sitting is a serious health risk. But standing all day at work isn't healthy either, causing discomfort and swelling in the legs and feet. Therefore, the most effective way to maintain health and comfort in the workplace is to alternate periodically between sitting and standing postures.



Features

- Unmatched performance and ease of use encourage desk-bound workers to regularly alternate between sitting and standing postures for long-term health
- Simple, single-handed weight adjustment instantly accommodates changes in tabletop weight
- Innovative safety features allows up or down adjustment only when the desktop and contents are properly counterbalanced
- With clean, architectural lines that belie its sophisticated functionality, the Float height-adjustable table complements any work environment while offering plenty of room under the work surface for legs, knees and feet
- Built for a long, serviceable life and limited carbon footprint, the Float height-adjustable table is made using minimal parts and manufacturing processes and is comprised predominantly of recyclable steel



Specifications

- Provides an exceptional 20" of height adjustability (27" to 47" from the floor, excluding tabletop thickness)
- Counterbalances up to 130 lbs. of desktop weight (including the tabletop)
- Accommodates work surface widths from 48" (1200 mm) to 72" (1800 mm) and depths from 24" (600 mm) to 30" (800 mm), including work surfaces from most manufacturers
- Meets BIFMA requirements for load, capacity and stability
- Made from recyclable steel and aluminum
- Includes a 5-year, 24/7 warranty

Standard / Powder Coat Base Colors

- Black Base
- Silver Base
- White Base

Optional / Powder Coat Base Colors

(Extended Leads for Optional Base Colors)

- Sand Base

Standard Tops / Wood Casegoods Selections

(Matching Casegoods / Wood Top / Trim and Finish refer to Wood Casegood Finishes)

- Baritone
- Concerto
- Symphony

Standard Tops / Systems Laminate Selections

(Matching Systems / Laminate Top / Colors and Edge Trim refer to Systems Finishes)

- Crescendo
- Classic XXI
- NeoClassic
- XXI Notes
- Bravo