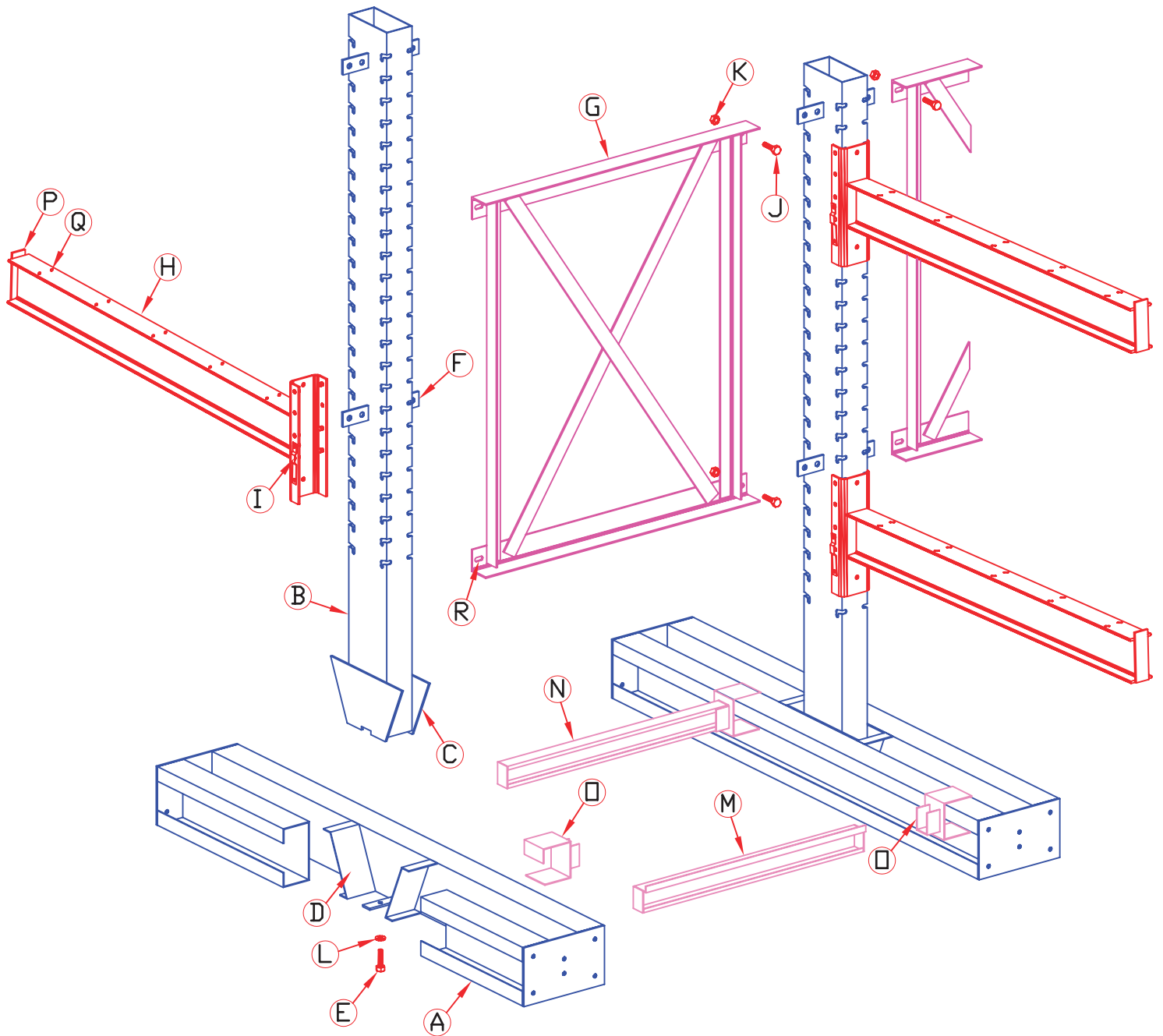


CANTILEVER ARM RACK

ASSEMBLY INSTRUCTIONS



A - Upright Base
 B - Upright Post
 C - Wedge Plate
 D - Base Pocket
 E - $\frac{1}{2}$ " x $2\frac{1}{4}$ " L. Bolt
 F - Horizontal Brace Tab
 G - Horizontal Brace
 H - Cantilever Arm
 I - Automatic Arm Lock

J - $\frac{1}{2}$ " x $1\frac{1}{2}$ " L. Bolt
 K - $\frac{1}{2}$ " Nut
 L - $\frac{1}{2}$ " Washer
 M - Facia Deck Support Beam
 N - Internal Deck Support
 O - Base Saddle
 P - Arm Stop (Optional)
 Q - Decking Mount Holes (Optional)
 R - Mounting Slots

ENGINEERING DEPARTMENT



UNICOR METALS DIVISION
 F.C.I. EL RENO, OKLAHOMA

CATPIEC500