

ASSEMBLY INSTRUCTIONS

Single Bed Assembly Instructions:

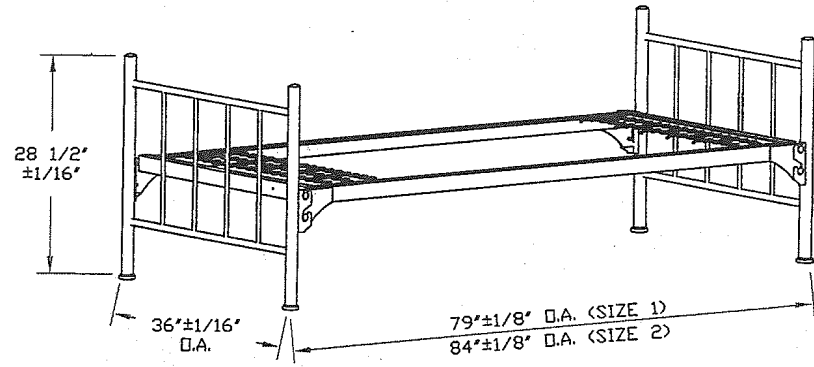
Assemble a single bunk bed by placing a spring unit on the floor with spring up. Stand a bed end at each end of the spring unit. Lift the spring unit up and place it between the slotted extension on the main post of the bed end and fit the studs into the slots. Lightly tap each corner to set the studs in the slots. **DO NOT FORCE THE STUDS TO SEAT AT THE BOTTOM OF THE SLOTS.**

Double Decking Instructions:

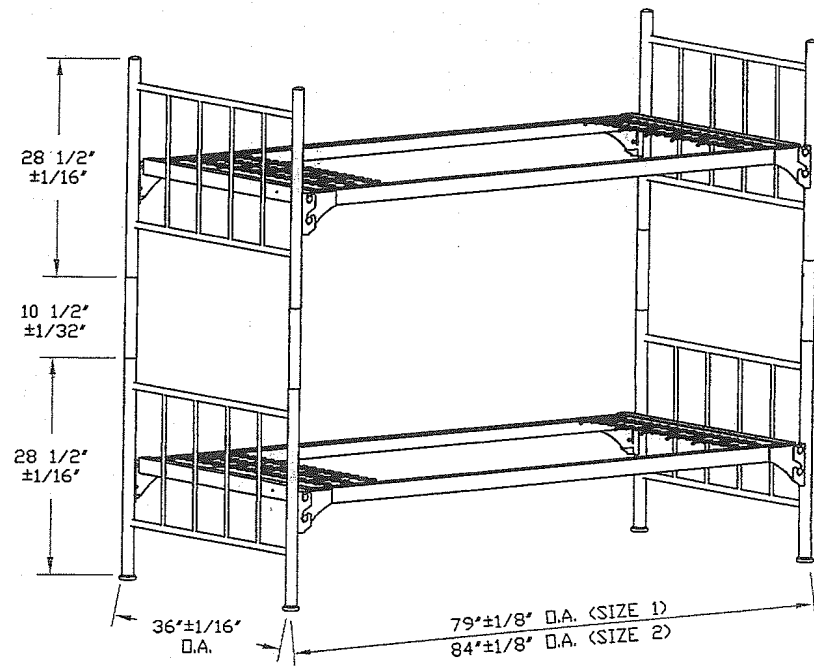
Assemble two bunk beds as instructed above. Remove the caps from the top of the main posts at each corner of one bed and remove the bed shoes from the bottom of the main posts of the other bed. Place an adapter into each post from which the caps were removed. Lift the other bed above the adapters and insert the top of the adapters into the bottom of the main posts.

MIL-B-15228G

NOTE: MEASURE OVERALL BUNK BED LENGTH AT MID POINT BETWEEN TOP AND BOTTOM OF BED POSTS.



A. MILITARY STANDARD BUNK BED, SINGLE



B. MILITARY STANDARD BUNK BED, SINGLE DOUBLE DECKED

MIL-B-15228G

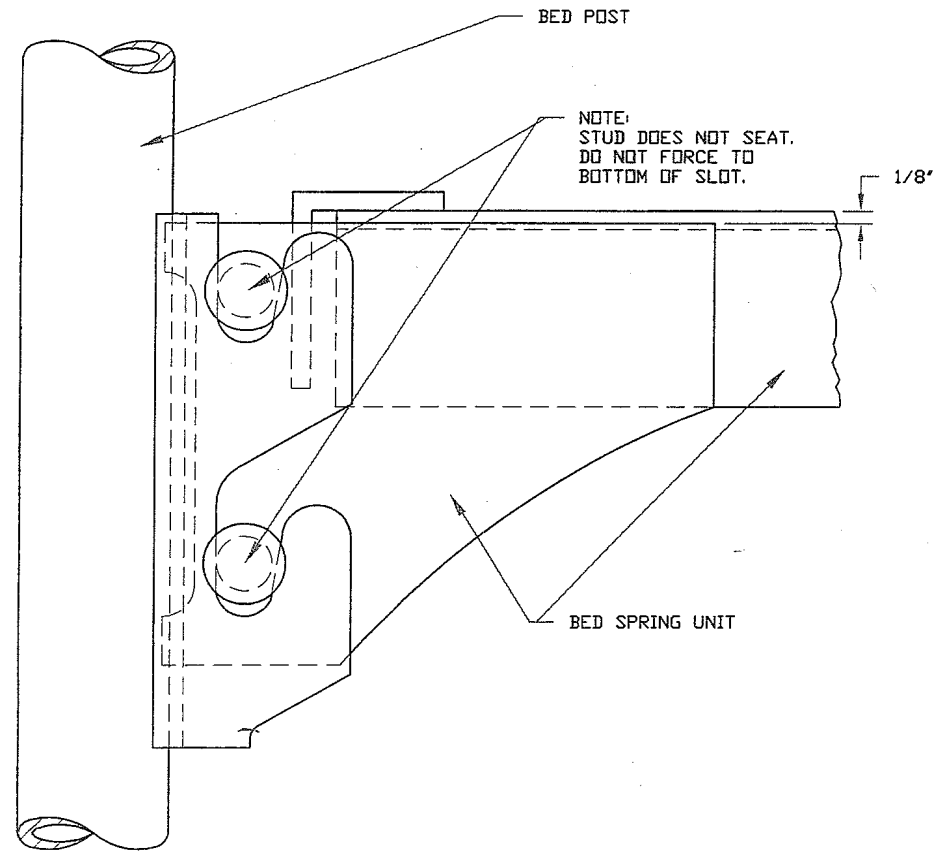


FIGURE 14. CORNER LOCK

FIGURE 1. MILITARY STANDARD BUNK BED, STEEL, SINGLE AND DOUBLE-DECK (CONVERTIBLE TYPE)